

DIALYSIS CHAIR
/ BLOOD BANK CHAIR
DCS-063



INDIA'S
1 BRAND
Experience the Reliable Technology
User-Friendly Best Quality
"Confident"
Dental & Medical Equipments



CONFIDENT
MEDICAL EQUIPMENTS

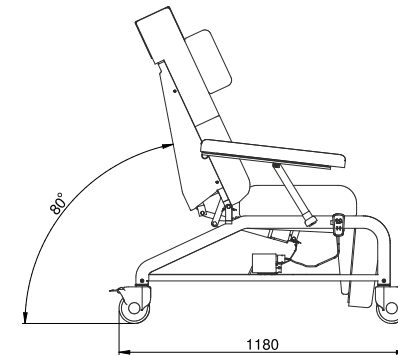
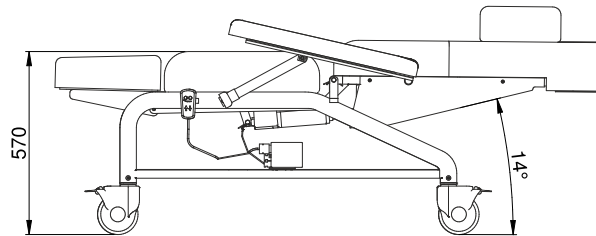
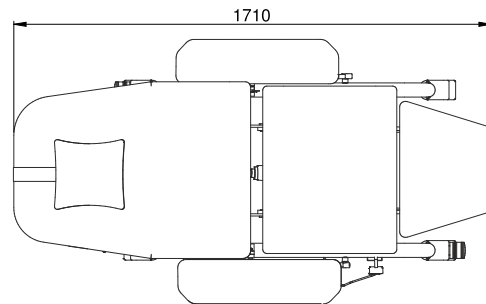
Features :

- Chair frame with epoxy coating and Anti-bacterial MS frame provides strong load bearing capacity, load up to 180kgs.
- The mattress uses high density foam with additional comfort for patients having to sit for long period.
- The hand control and single motor allows quick positioning.
- Convenient headrest movement, for different donors.
- Wide handrest for comfortable position of the hand.
- Raising & lowering of Backrest & Legrest simultaneously .
- Chair on 4 wheels provided with diagonal locking system & smooth movement.

Technical Data

Length	:	1710 mm
Width	:	610 mm
Backrest Angle (Up/Down)	:	0°- 80°
Power Supply	:	230V AC 50Hz
Operating Voltage of Actuators	:	24V DC

Operating System by Remote



ISO 9001:2015



www.tuv.com
ID: 9105015614

CONFIDENT DENTAL EQUIPMENTS PVT. LTD.

Plot No. 17-H, Sector I, Phase II, Bidadi Industrial Area,
Bidadi - 562109, Bangalore (INDIA) GSTIN : 29AAACC9198C1ZF
Ph: +91-80 28023000 | E-mail: info@confidental.org | Web: www.confidental.org